

THREADED COUPLING

For on-site assembly Patent/DBGM pending

1.4305
AISI 303

no.	mm	mm	mm	mm	mm	mm	mm	mm
30842-	ø mm	a	b1	b2	b3	ø d	sw	
0200	2,0	M6	80	44	13	14,8	13	
0300	3,0	M6	80	44	13	14,8	13	
0400	4,0	M6	80	44	13	14,8	13	
0500	5,0	M6	82	48	13	17,1	15	
0600	6,0	M6	82	48	13	17,1	15	

LOOSE SLEEVE

1.4404
AISI 316

no.	mm	mm	mm	no.	mm	mm	mm
30864-	ø mm	ø d	b	30864-	ø mm	ø d	b
0205	2,0	5	30	0610	6,0	10	30
0206	2,0	6	30	0613	6,0	13	30
0306	3,0	6	30	0813	8,0	13	30
0307	3,0	7	30	1018	10,0	18	50
0310	3,0	10	30	1020	10,0	20	50
0407	4,0	7	30	1222	12,0	22	50
0408	4,0	8	30	1225	12,0	25	50
0410	4,0	10	30	1424	14,0	24	50
0508	5,0	8	30	1627	16,0	27	50
0513	5,0	13	30	1632	16,0	32	50

DECO SLEEVE FOR UNIVISS®

1.4305
AISI 303

no. R	no. L	mm	mm	mm	mm	mm
30848-	30849-	ø mm	a	b	ø d	c
0300-01	0300-01	3,0	M3	9	3,9	3,0
0400-01	0400-01	4,0	M4	11	5,0	4,0
0500-01	0500-01	5,0	M5	13	6,5	4,5
0600-01	0600-01	6,0	M6	15	7,5	5,0
0800-01	0800-01	8,0	M8	20	10,0	7,0

CLEVIS WITH EXTERNAL THREAD

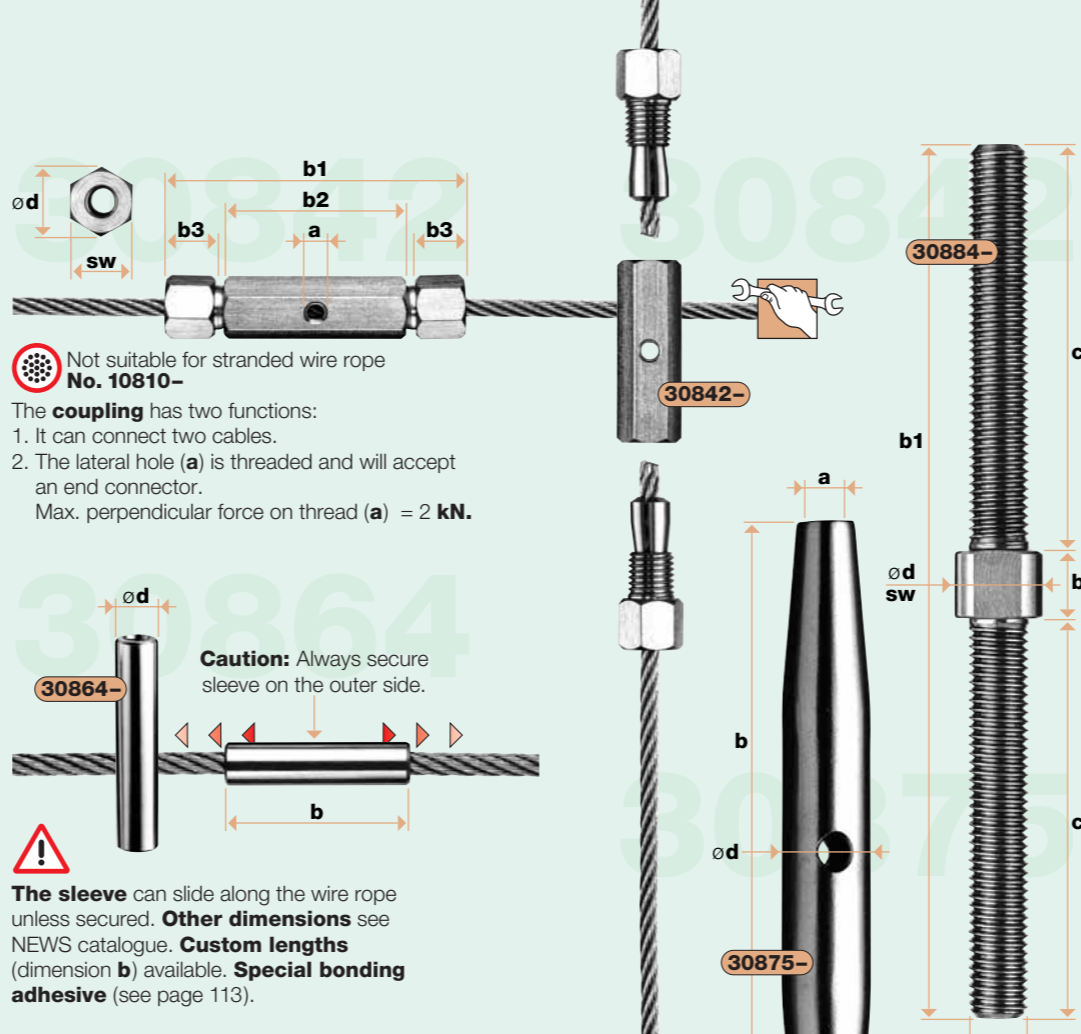
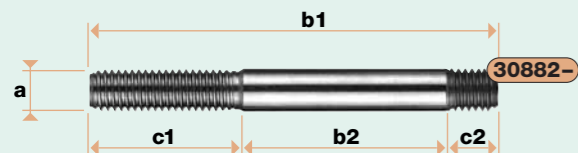
1.4404
AISI 316

no.	mm	mm	mm	mm	mm	mm	mm	mm	mm	mm
30887-	a	b	c	ø d1	ø d2	e	f1	f2	g	h
0800	M8	72	50	13	5	6	9	16	5	11

HEADLESS SHAFT SCREW, RIGHT-HAND THREAD

1.4404
AISI 316

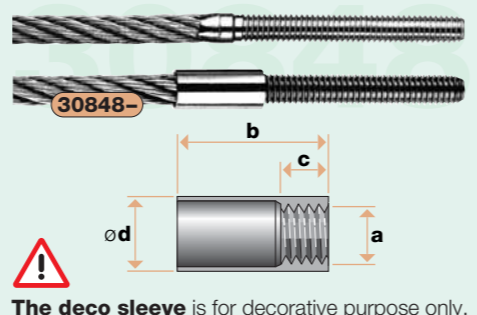
no.	mm	mm	mm	mm	
30882-	a	b1	b2	c1	c2
0801-020	M8	56,5	20	27	9,5
0801-029	M8	65,5	29	27	9,5
0801-039	M8	75,5	39	27	9,5
0801-059	M8	95,5	59	27	9,5



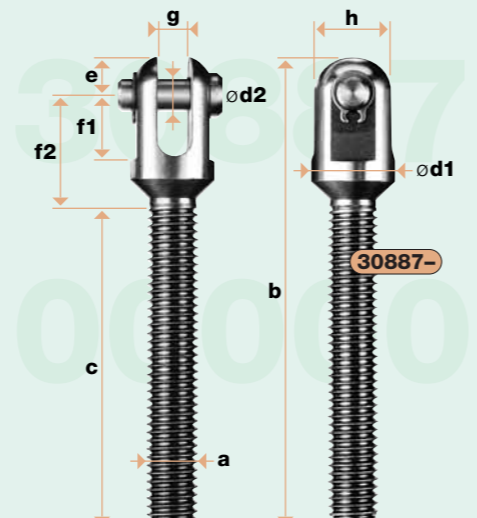
Not suitable for stranded wire rope No. 10810-
The **coupling** has two functions:
1. It can connect two cables.
2. The lateral hole (a) is threaded and will accept an end connector.
Max. perpendicular force on thread (a) = 2 kN.

Caution: Always secure sleeve on the outer side.

The sleeve can slide along the wire rope unless secured. **Other dimensions** see NEWS catalogue. **Custom lengths** (dimension b) available. **Special bonding adhesive** (see page 113).



The deco sleeve is for decorative purpose only.



The user is responsible for choosing the proper rope ø and for correct assembly. Functionality is guaranteed only by Jakob rope No. 10820- with code filament.

Technical data subject to change. All rights reserved. © 1988/02 by Jakob AG Switzerland. Rev. 2

TENSIONING SCREW WITH RH/LH EXTERNAL THREADS

1.4305
AISI 303

no.	mm	mm	mm	mm	mm	mm
30884-	a	b1	b2	ø d	c	sw
0400-043	M4	43	5	5	19	4
0500-053	M5	53	5	6	24	5
0500-083	M5	83	5	6	39	5
0600-055	M6	55	5	8	25	6
0600-085	M6	85	5	8	40	6
0800-072	M8	72	8	10	32	8
0800-122	M8	122	8	10	57	8
1000-146	M10	146	10	12	68	10
1200-192	M12	192	12	16	90	13
1400-195	M14	195	15	20	90	17
1600-246	M16	246	20	22	113	19
2000-292	M20	292	20	26	136	22

TURNBUCKLE WITH RH/LH INTERNAL THREADS

1.4401
AISI 316

no.	mm	mm	mm	no.	mm	mm	
30875-	a	b	ø d	30875-	a	b	ø d
0500	M5	80	8,0	1400	M14	170	21,3
0600	M6	92	10,0	1600	M16	190	26,9
0800	M8	112	13,5	2000	M20	220	33,7
1000	M10	120	17,2	2400	M24	280	45,0
1200	M12	150	21,3				

HEADLESS SCREW

1.4404
AISI 316

no. R	no. L	mm	mm	no. R	no. L	mm	mm
30882-	30883-	a	c	30882-	30883-	a	c
0400-030	0400-030	M4	30	0600-130	0600-130	M6	130
0500-040	0500-040	M5	40	0800-050	0800-050	M8	50
0500-050	0500-050	M5	50	0800-060	0800-060	M8	60
0500-060	0500-060	M5	60	0800-080	0800-080	M8	80
0500-080	0500-080	M5	80	0800-090	0800-090	M8	90
0500-100	0500-100	M5	100	0800-120	0800-120	M8	120
0600-040	0600-040	M6	40	1000-060	1000-060	M10	60
0600-050	0600-050	M6	50	1200-080	1200-080	M12	80
0600-060	0600-060	M6	60	1400-080	1400-080	M14	80
0600-080	0600-080	M6	80	1600-080	1600-080	M16	80
0600-100	0600-100	M6	100	2000-100	2000-100	M20	100

HEADLESS SCREW RH/LH

1.4404
AISI 316

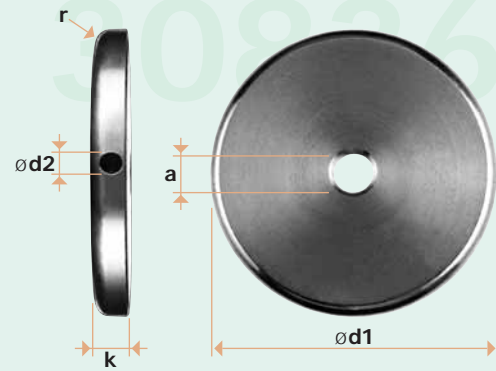
no.	mm	mm	mm	no.	mm	mm	
30884-	a	b	c	30884-	a	b	c
0400	M4	45	20	1200	M12	105	50
0500	M5	65	30	1400	M14	105	50
0600	M6	65	30	1600	M16	125	60
0800	M8	65	30	2000	M20	125	60
1000	M10	85	40				

Technical data subject to change. All rights reserved. © 1988/02 by Jakob AG Switzerland. Rev. 2

COVER DISK WITH INTERNAL THREAD

1.4404
AISI 316

30836-	a	mm			
		Ø d1	Ø d2	r	k
0500-05	M5	35	1,5	2,5	4
0600-05	M6	35	1,5	2,5	4
0800-05	M8	50	3,5	3,0	6
1000-05	M10	50	3,5	3,0	6

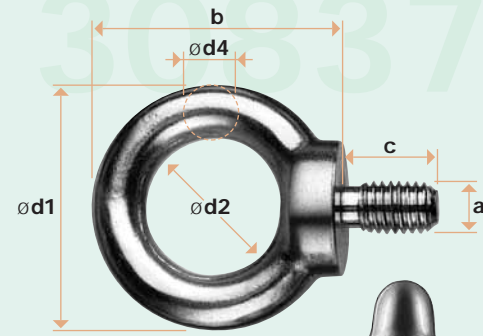


EYE BOLT

Permissible axial load in **kN** (kN x 102 = kp)

1.4404
AISI 316
DIN 580

30837-	Permissible load kN	a	b	c	mm			
					Ø d1	Ø d2	Ø d3	Ø d4
0600	0,7	M6	27	11,0	27	15	15	6
0800	1,4	M8	36	13,0	36	20	20	8
1000	2,3	M10	45	17,0	45	25	25	10
1200	3,4	M12	53	20,5	54	30	30	12
1600	7,0	M16	62	27,0	63	35	35	14
2000	12,0	M20	71	30,0	72	40	40	16
2400	18,0	M24	90	36,0	90	50	50	20

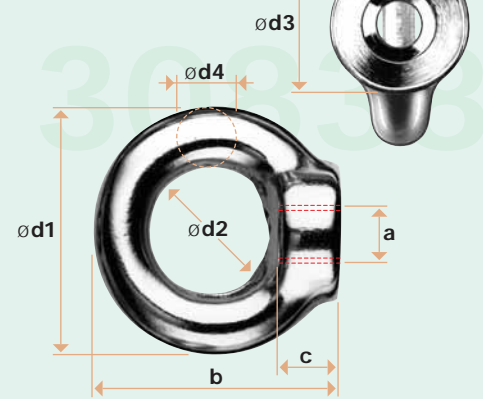


EYE NUT

Permissible axial load in **kN** (kN x 102 = kp)

1.4404
AISI 316
DIN 582

30838-	Permissible load kN	a	b	c	mm			
					Ø d1	Ø d2	Ø d3	Ø d4
0600	0,7	M6	27	6	27	15	15	6
0800	1,4	M8	36	8	36	20	20	8
1000	2,3	M10	45	10	45	25	25	10
1200	3,4	M12	53	11	54	30	30	12
1600	7,0	M16	62	13	63	35	35	14
2000	12,0	M20	71	15	72	40	40	16
2400	18,0	M24	90	20	90	50	50	20



CARABINER WITH EYELET

Permissible axial load in **kN** (kN x 102 = kp), not guaranteed

1.4401
AISI 316

30815-	Permissible load kN	Nominal size	b	mm		
				Ø d1	Ø d2	g
0055-01	1,0	5 x 50	50	5	8	7
0066-01	1,5	6 x 60	60	6	8	9
0088-01	2,7	8 x 80	80	8	10	11
1010-01	4,0	10 x 100	100	10	12	14
1211-01	5,5	11 x 120	120	11	13	18

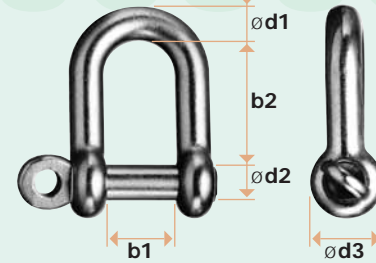


STANDARD SHACKLE

Permissible axial load in **kN** (kN x 102 = kp)

1.4401
AISI 316

30835-	Permissible load kN	mm		
		b1	b2	Ø d3
0032	3,2	10	17	5
0039	3,9	12	21	6
0050	5,0	16	28	8
0090	9,0	19	35	10
0120	12,0	23	41	11
0140	14,0	26	45	13
0200	20,0	31	55	15
0340	34,0	38	66	18



BOWED SHACKLE

Permissible axial load in **kN** (kN x 102 = kp)

1.4401
AISI 316

30835-	Permissible load kN	mm		
		b1	b2	Ø d3
0016-01	1,6	8	18	4
0024-01	2,4	10	23	5
0036-01	3,6	12	27	6
0056-01	5,6	15	37	8
0086-01	8,6	19	46	10
0130-01	13,0	24	55	12



WIRE ROPE CLIP

30800-	Ø mm	Clips required per loop pcs
0200	2,0	3
0300	3,0	3
0400	4,0	3
0500	5,0	4
0600	6,0	4

30800-	Ø mm	Clips required per loop pcs
0800	8,0	4
1000	10,0	4
1200	12,0	4
1600	16,0	4

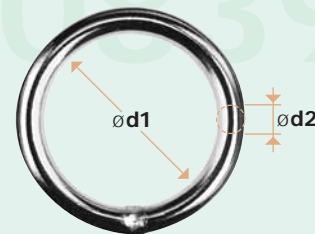


WELDED RING

For light duty

30839-	mm	
	Ø d1	Ø d2
0400	25	4
0500	30	5
0600	40	6

30839-	mm	
	Ø d1	Ø d2
0800	50	8
1000	60	10



HEAVY-DUTY WELDED OVAL RING

Permissible axial load in **kN** (kN x 102 = kp)

1.4404
AISI 316

30825-	Permissible load kN	mm		
		b1	b2	Ø d
0050	5	50	20	5
0200	20	80	30	10
0500	50	110	53	15

