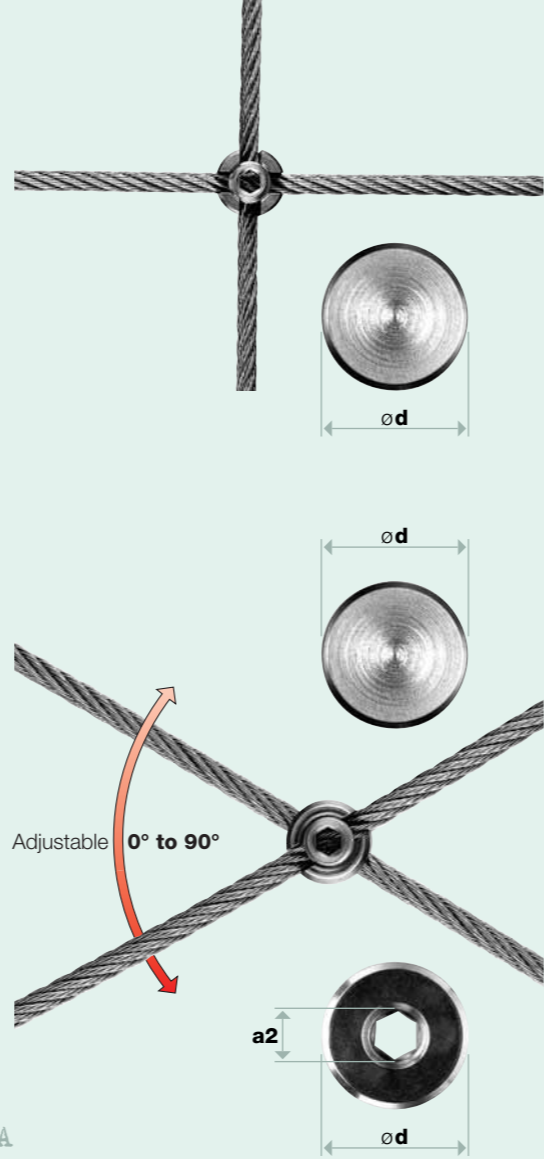


98.A

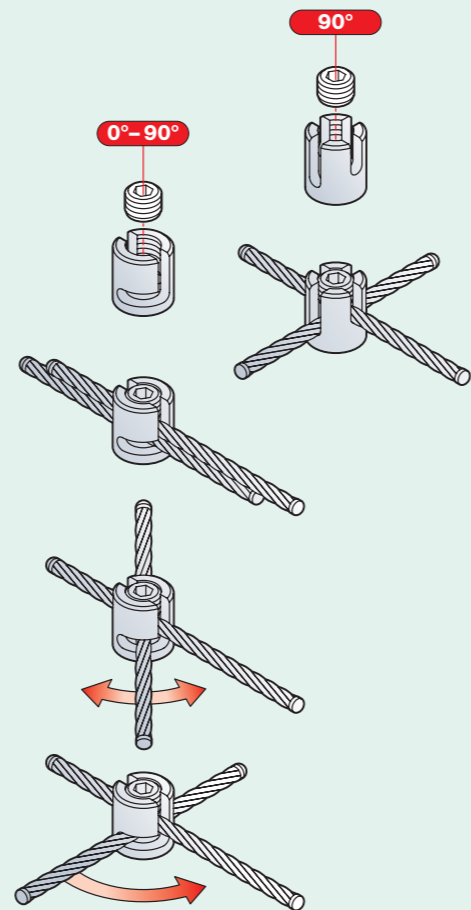


98.B

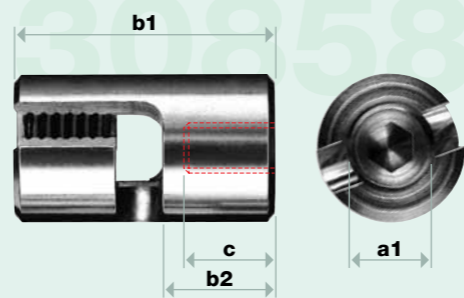
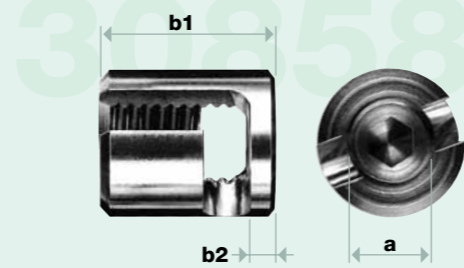
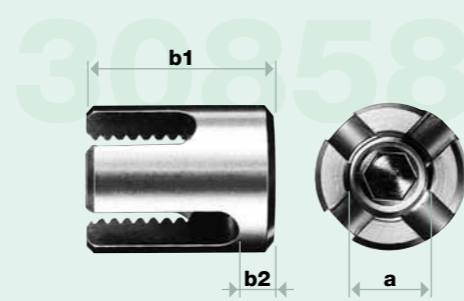


98.A

98.B



Technical data subject to change.  
All rights reserved. © 1988/96 by Jakob AG Switzerland.



CROSS CLAMP



30858-



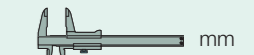
$\varnothing$  mm



a

	$\varnothing$ mm	a
0200	2,0	M12
0300	3,0	M12
0400	4,0	M12
0500	5,0	M12
0600	6,0	M12

1.4404  
AISI 316



mm

	b1	b2	$\varnothing$ d
	18	5	20
	19	5	20
	21	5	20
	23	5	20
	25	5	20

ADJUSTABLE CROSS CLAMP

Patent / DBG M pending



30858-



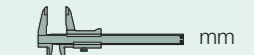
$\varnothing$  mm



a

	$\varnothing$ mm	a
0200-01	2,0	M12
0300-01	3,0	M12
0400-01	4,0	M12
0500-01	5,0	M12
0600-01	6,0	M12

1.4404  
AISI 316



mm

	b1	b2	$\varnothing$ d
	15,5	3,5	20
	17,5	3,5	20
	19,5	3,5	20
	21,5	3,5	20
	23,5	3,5	20

ADJUSTABLE CROSS CLAMP WITH INTERNAL THREAD

Patent / DBG M pending



30858-



$\varnothing$  mm



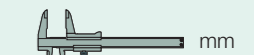
a1



a2

	$\varnothing$ mm	a1	a2
0200-02	2,0	M12	M8
0300-02	3,0	M12	M8
0400-02	4,0	M12	M8
0500-02	5,0	M12	M8
0600-02	6,0	M12	M8

1.4404  
AISI 316



mm

	b1	b2	$\varnothing$ d	c
	27	15	20	10
	29	15	20	10
	31	15	20	10
	33	15	20	10
	35	15	20	10

Not suitable for stranded wire rope  
No.10810-

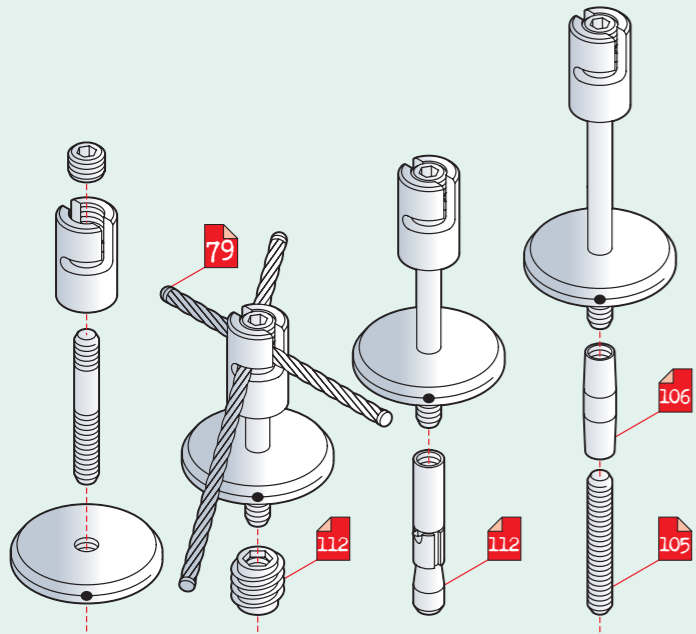


The user is responsible for correct assembly and for verifying the correct rope  $\varnothing$ .

Technical data subject to change.  
All rights reserved. © 1988/02 by Jakob AG Switzerland. Rev. 2



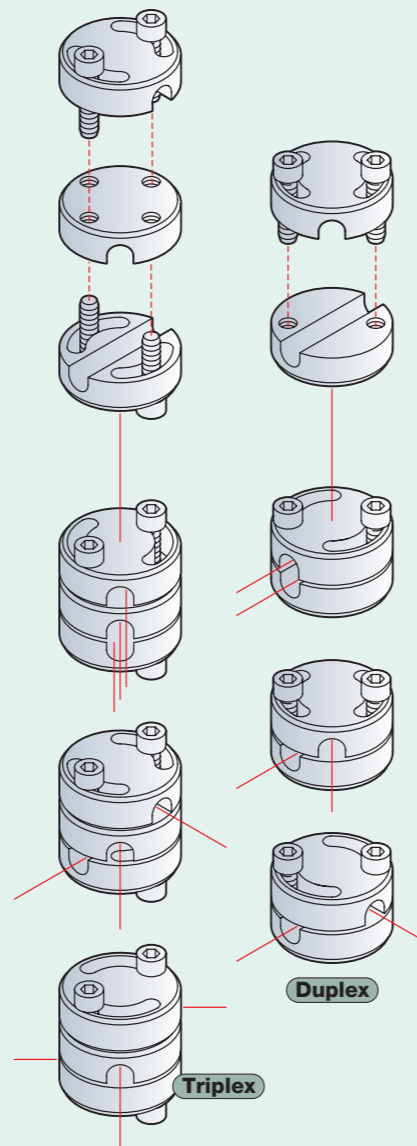
99.A



102.A



102.B

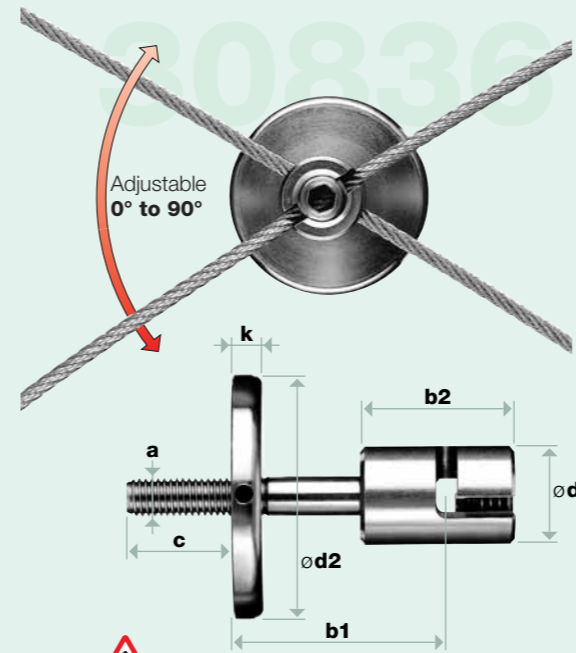


Technical data subject to change. All rights reserved. © 1988 / 96 by Jakob AG Switzerland.

1.4404  
AISI 316

### ADJUSTABLE CROSS CLAMP WITH SUPPORT DISK

Patent / DBGM pending



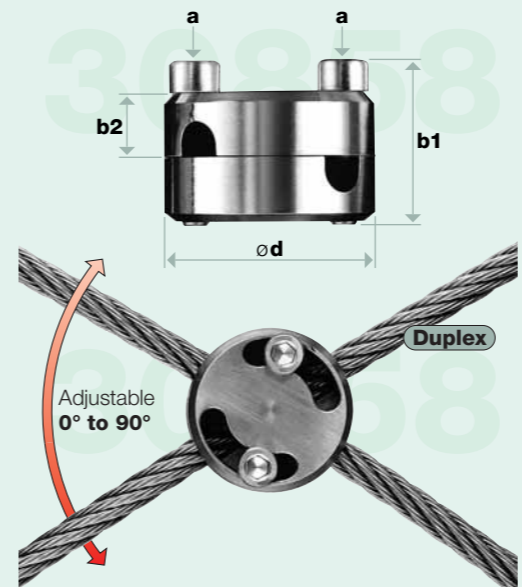
This product may be used only for wire rope guidance purposes (not as an end connector). Dimension **b1** is the distance between the wall and the inner wire rope.

Not suitable for stranded wire rope No.10810-

no.	ø mm	a	mm			mm		
			b1	b2	c	ø d1	ø d2	k
30836-								
0041-20	2,0	M8	41	27	21	20	50	6
0050-20	2,0	M8	50	27	21	20	50	6
0060-20	2,0	M8	60	27	21	20	50	6
0080-20	2,0	M8	80	27	21	20	50	6
0041-30	3,0	M8	41	29	21	20	50	6
0050-30	3,0	M8	50	29	21	20	50	6
0060-30	3,0	M8	60	29	21	20	50	6
0080-30	3,0	M8	80	29	21	20	50	6
0041-40	4,0	M8	41	31	21	20	50	6
0050-40	4,0	M8	50	31	21	20	50	6
0060-40	4,0	M8	60	31	21	20	50	6
0080-40	4,0	M8	80	31	21	20	50	6
0041-50	5,0	M8	41	33	21	20	50	6
0050-50	5,0	M8	50	33	21	20	50	6
0060-50	5,0	M8	60	33	21	20	50	6
0080-50	5,0	M8	80	33	21	20	50	6
0041-60	6,0	M8	41	35	21	20	50	6
0050-60	6,0	M8	50	35	21	20	50	6
0060-60	6,0	M8	60	35	21	20	50	6
0080-60	6,0	M8	80	35	21	20	50	6

### ADJUSTABLE DUPLEX CROSS CLAMP

Patent / DBGM pending



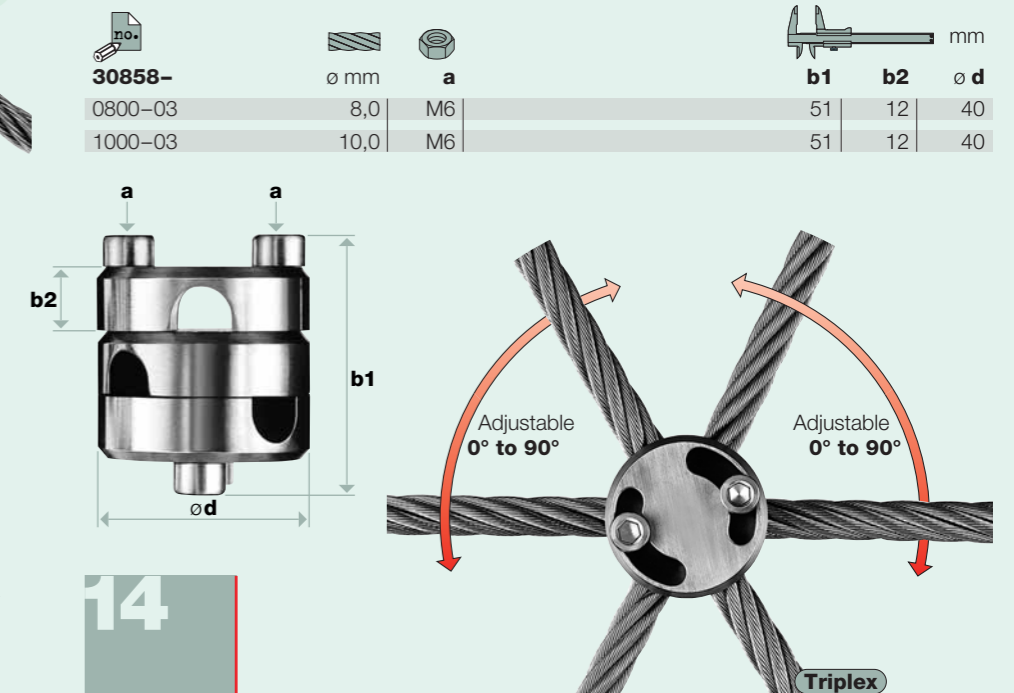
The user is responsible for correct assembly and for verifying the correct rope ø.

Technical data subject to change. All rights reserved. © 1988 / 02 by Jakob AG Switzerland. Rev. 2

no.	ø mm	a	mm		
			b1	b2	ø d
30858-					
0800-01	8,0	M6	31	12	40
1000-01	10,0	M6	31	12	40

### ADJUSTABLE TRIPLEX CROSS CLAMP

Patent / DBGM pending



no.	ø mm	a	mm		
			b1	b2	ø d
30858-					
0800-03	8,0	M6	51	12	40
1000-03	10,0	M6	51	12	40