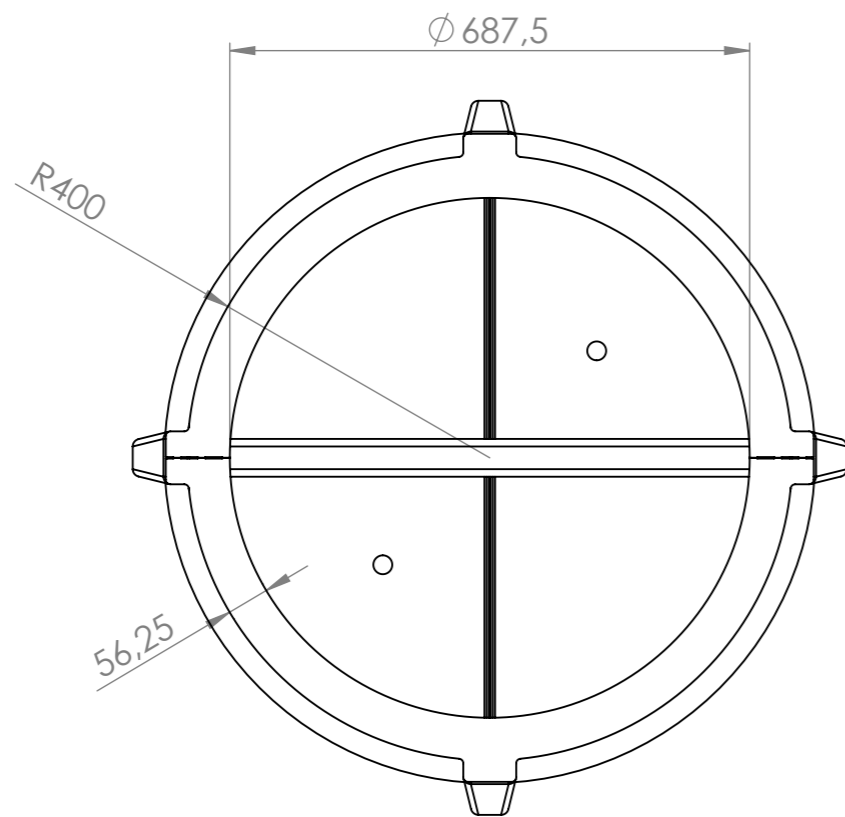
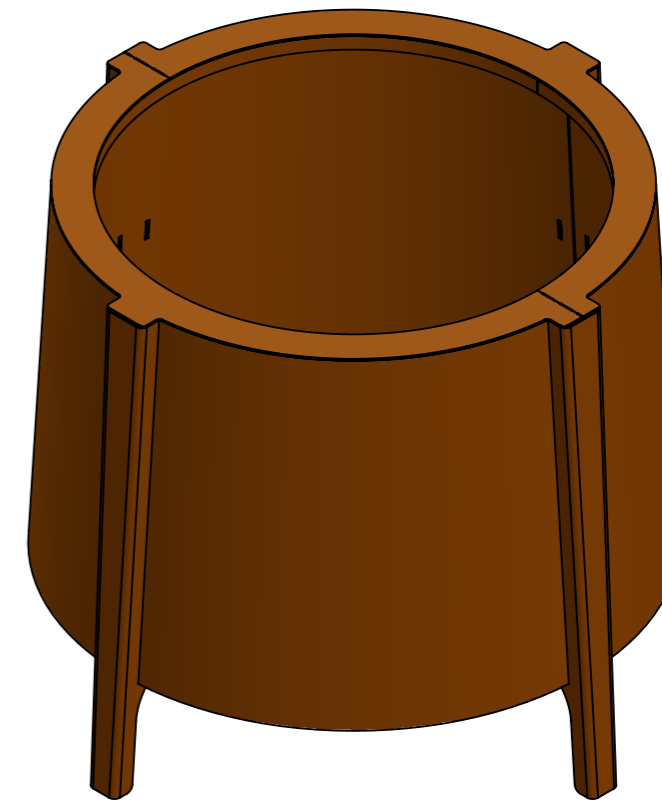
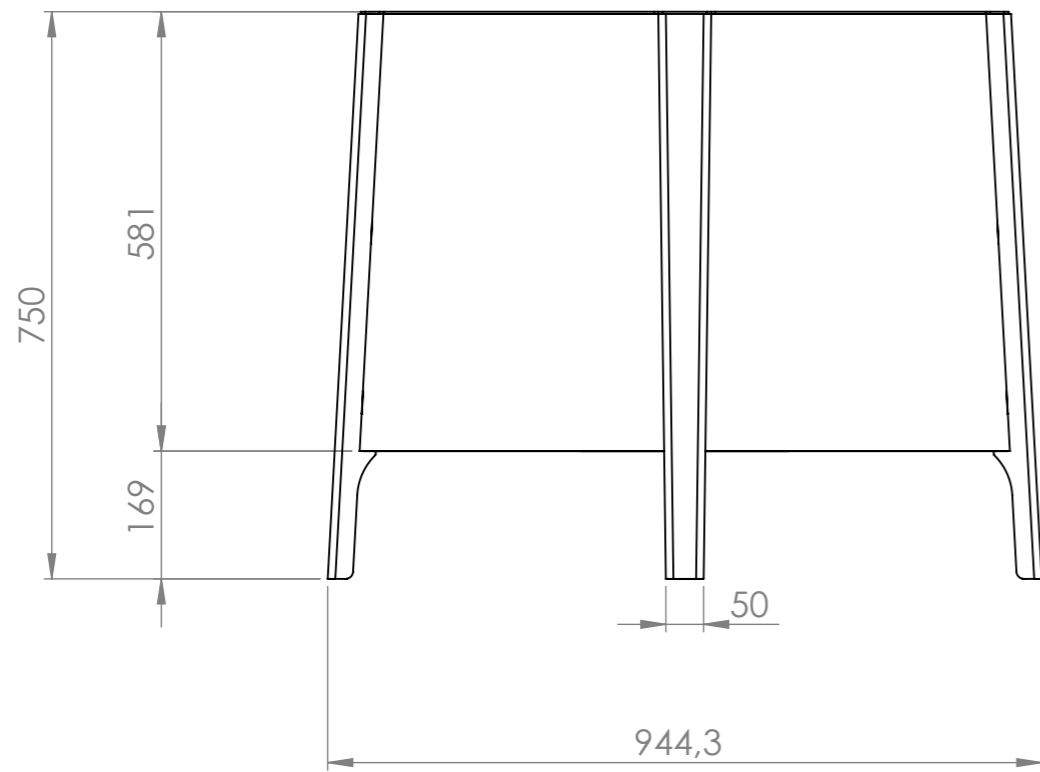
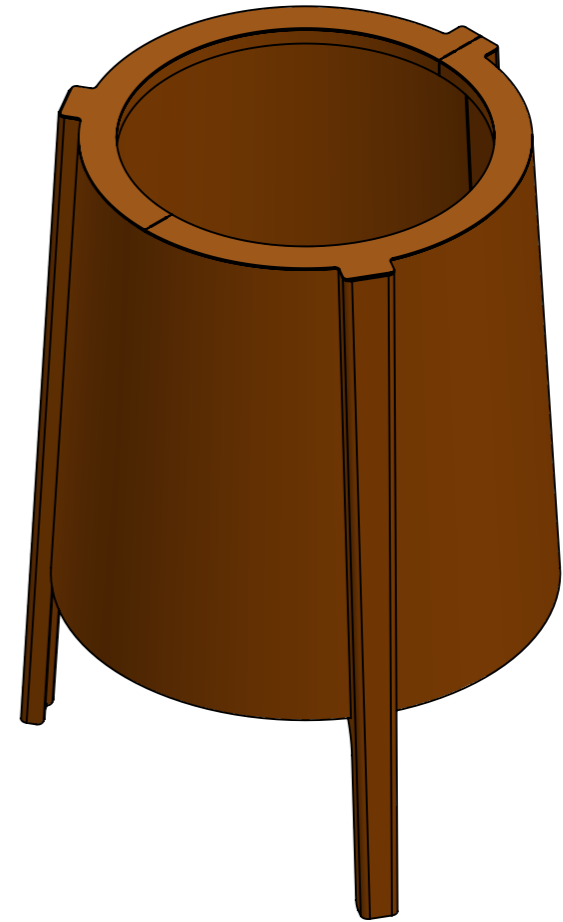
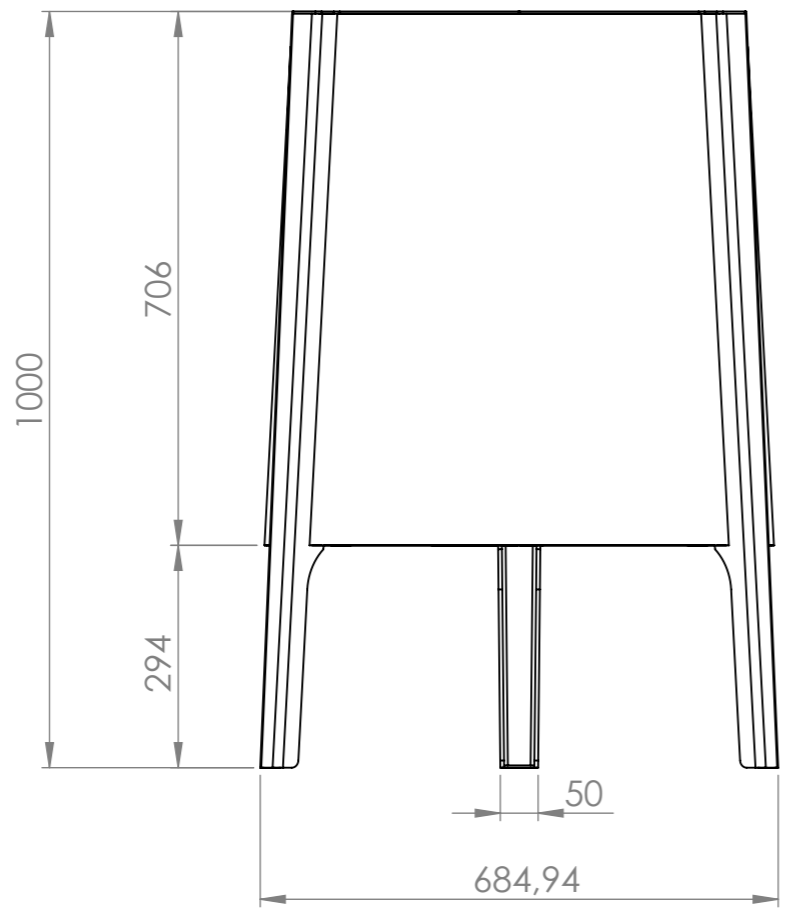
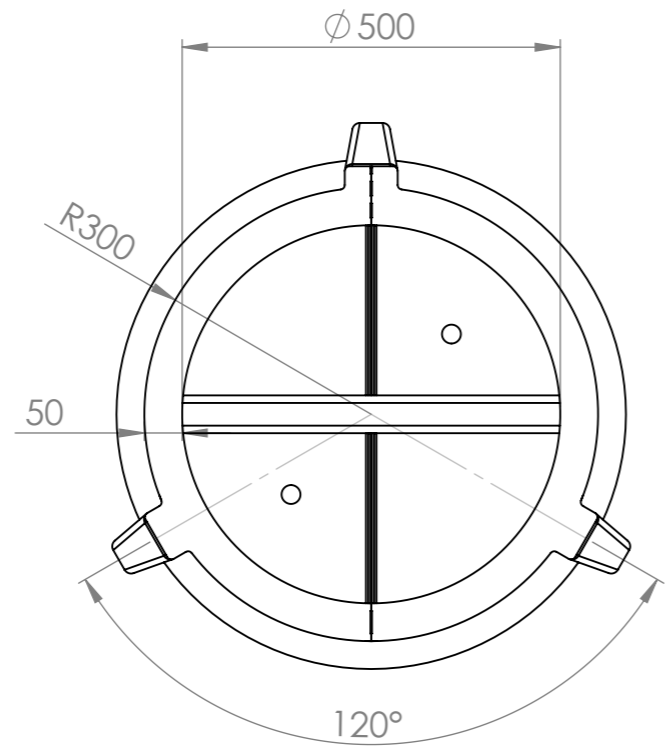


DRAWN	Luuk van den Heuvel	DATE	28-6-2019		TITLE:	3mm Corten	
REVISION	Luuk van der Heuvel	DATE	21-2-2020		Drawing:	BOTAN-CBN1	A3
		Liessentstraat 4, 5405 AG Uden (NL). † 0031 (0)413 - 27 41 68. e info@adezz.com, i www.adezz.com		Color:	-	Mass (kg):	72.36
				SCALE:1:10	SHEET 1 OF 9		



DRAWN	Luuk van den Heuvel	DATE	28-6-2019		TITLE:	3mm Corten	
REVISION	Luuk van der Heuvel		27-2-2020		Drawing:	BOTAN-CBN2	A3
		Liessentstraat 4, 5405 AG Uden (NL). † 0031 (0)413 - 27 41 68. e info@adezz.com, i www.adezz.com		Color:	-	Mass (kg):	69.64
				SCALE:1:10	SHEET 1 OF 9		



DRAWN	Luuk van den Heuvel	DATE	28-6-2019	
REVISION	Luuk van der Heuvel	DATE	27-2-2020	

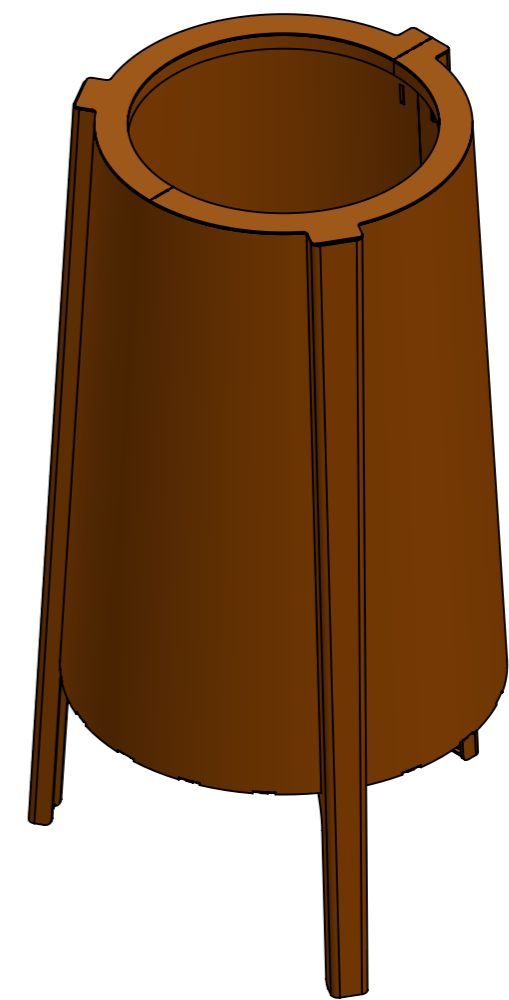
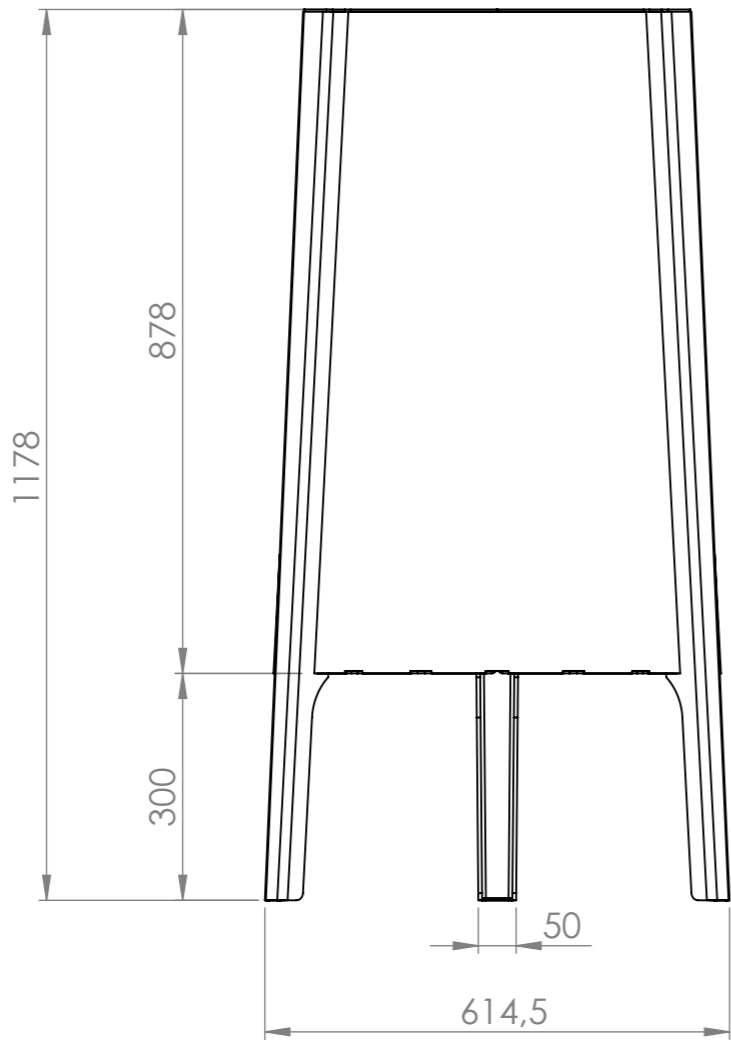
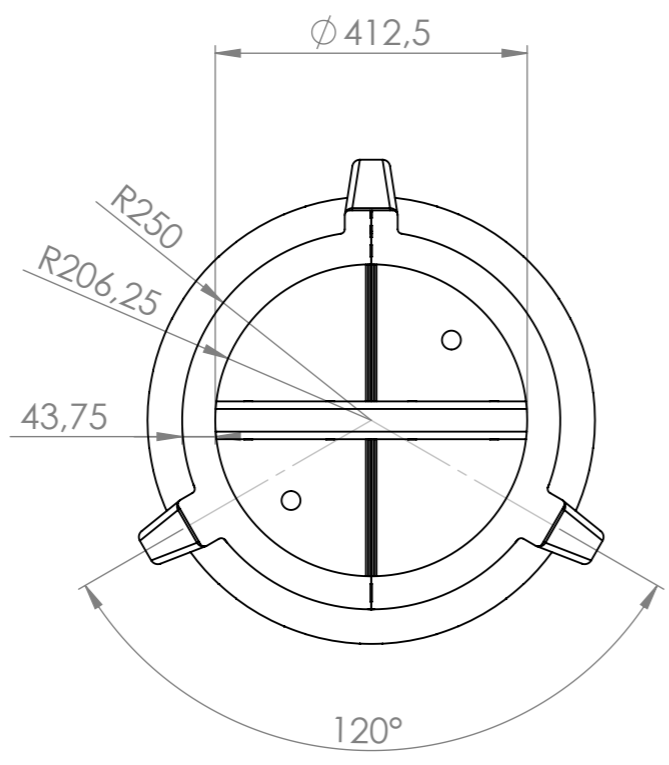
TITLE:	3mm Corten	
--------	------------	--

ADEZZ[®]
 WE PRODUCE GARDEN PRODUCTS FOR PROFESSIONALS

Liessentstraat 4, 5405 AG Uden (NL).
 † 0031 (0)413 - 27 41 68.
 e info@adezz.com, i www.adezz.com

Drawing:	BOTAN-CBN3	A3
----------	------------	----

Color:	-	Mass (kg):	59.75	SCALE:1:10	SHEET 1 OF 9
--------	---	------------	--------------	------------	--------------



DRAWN	Luuk van den Heuvel	DATE	28-6-2019
REVISION	Luuk van der Heuvel	DATE	27-2-2020

TITLE:	3mm Corten	
Drawing:	BOTAN-CBN4	A3

ADEZZ[®]
WE PRODUCE GARDEN PRODUCTS FOR PROFESSIONALS

Liessentstraat 4, 5405 AG Uden (NL).
t 0031 (0)413 - 27 41 68.
e info@adezz.com, i www.adezz.com

Color:	-	Mass (kg):	61.19	SCALE:1:10	SHEET 1 OF 9
--------	---	------------	--------------	------------	--------------