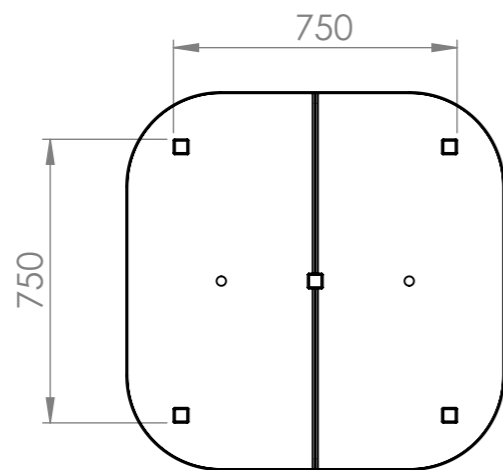
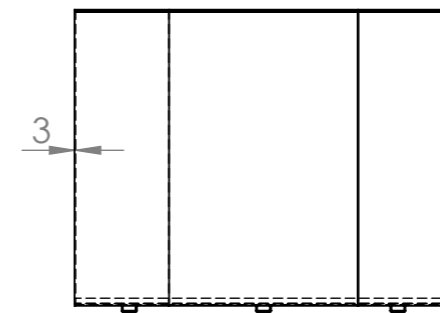
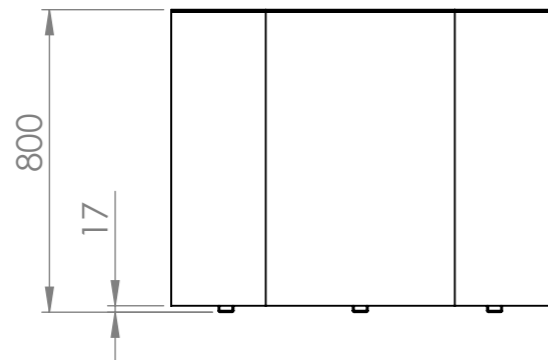
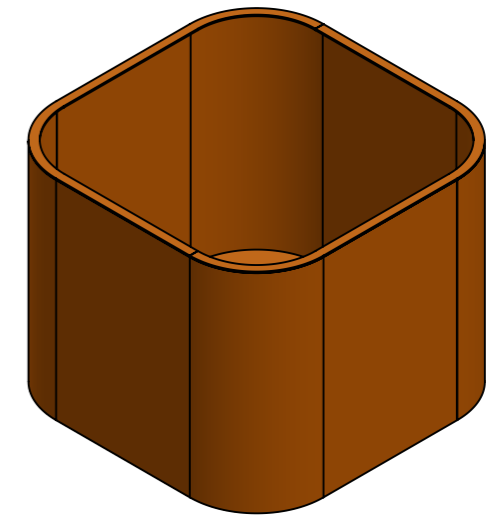
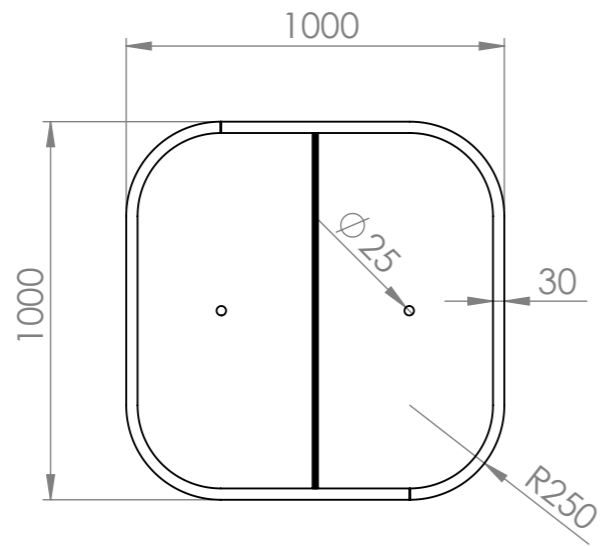


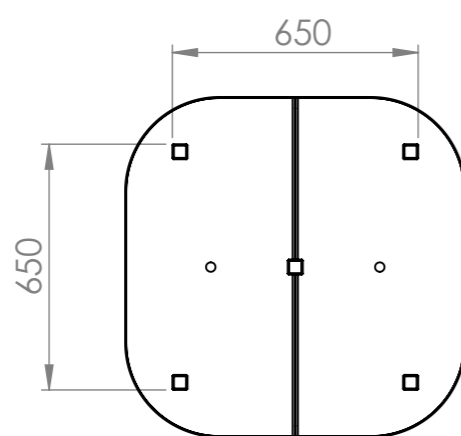
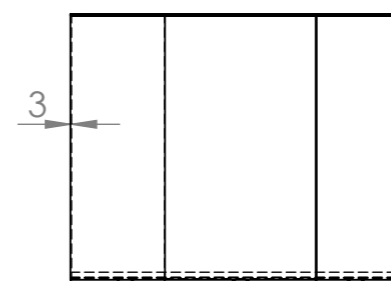
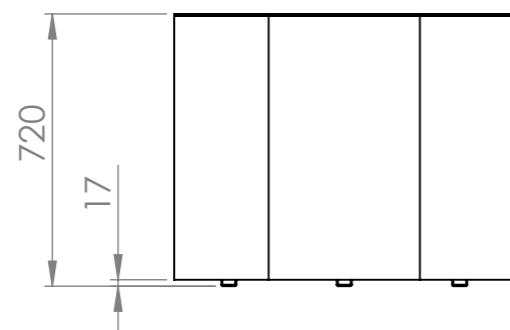
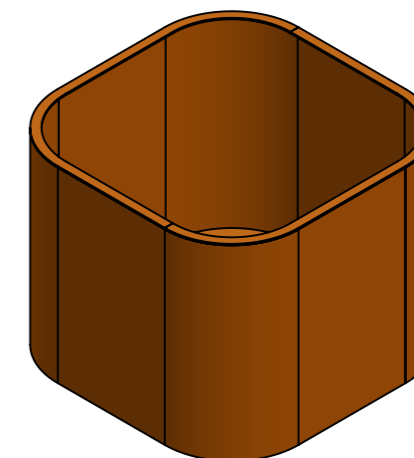
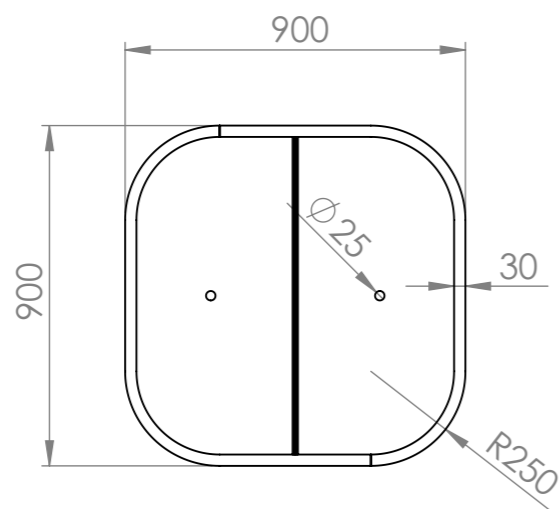


DRAWN	Luuk van den Heuvel	DATE	1-11-2019		TITLE:	Corten	
REVISION					Drawing:	Tonic-TOC 1	A3
		Liessentstraat 4, 5405 AG Uden (NL). † 0031 (0)413 - 27 41 68. e info@adezz.com, i www.adezz.com		Color:	-	Mass (kg):	<b>111.82</b>
				SCALE:1:20	SHEET 1 OF 6		



DRAWN	Luuk van den Heuvel	DATE	1-11-2019		TITLE:	Corten	
REVISION					Drawing:	Tonic-TOC 2	A3
				Liessentstraat 4, 5405 AG Uden (NL). † 0031 (0)413 - 27 41 68. e info@adezz.com, i www.adezz.com		Color:	-
				Mass (kg):	91.70	SCALE:1:20	SHEET 1 OF 6



DRAWN	Luuk van den Heuvel	DATE	1-11-2019		TITLE:		
REVISION					Corten		
				Liessentstraat 4, 5405 AG Uden (NL). † 0031 (0)413 - 27 41 68. e info@adezz.com, i www.adezz.com		Drawing:	A3
Color: -				Mass (kg):	<b>73.55</b>	SCALE:1:20	SHEET 1 OF 6
				Tonic-TOC 3			